



225 Series Below Panel Installation Guide



AeroCatch® kit contents:

2 x AeroCatch® 2
2 x Extension shoe
1 x Fastener Kit

Once you have unpacked your AeroCatch® 2 make a template using the dimensions from the installation drawing.

Firstly check that there is sufficient room below the panel and that it is not in an area with an excessive panel radius.

The shear pin protrudes past the end of the AeroCatch® 2 3mm when open and 17mm when closed, i.e. it has a throw of 14mm.

When positioning the template it is important to allow for the thickness and position of the panel return (if there is one), the fit between the panel and frame, and if it is a hinged panel the radial clearance required.

Place the template onto the panel with the end with the larger radius facing towards the panel edge. Move the template until the centre of the AeroCatch® 2 is typically 55mm from the panel edge, this will allow 3mm for a panel return giving 11mm to engage with frame allowing the panel fit and/or swing clearance.

Now mark around the cut-out, remove the template and cut as required, remembering to draw a line 0.4mm inside the template. Place the AeroCatch® in position and mark the fixing holes. Alternatively use the dimensions on the installation drawings. AeroCatch® will take up a small radius on the panel but you may wish to fare around it with silicone in tighter radius areas. Do not distort the housing when fixing, as this will adversely affect its operation and performance.

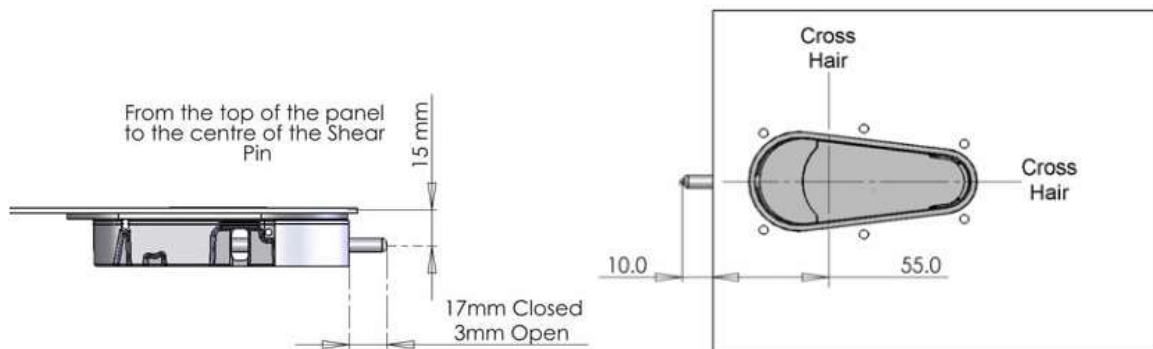
Fastener Kit

- 4 x M4x16 screws
- 2 x M4x35 screws
- 6 x M4 stainless steel washers
- 6 x M4 nyloc nuts

The two M4 x 35 screws fit in the two holes in the large radius end and secure the body and extension shoe in position. The M4 x16 screws fit into the other four holes in the flange. If the panel has a return it will be necessary to drill a 6.3/6.5mm clearance hole for the shear pin. Please see the installation drawings for the offset required.

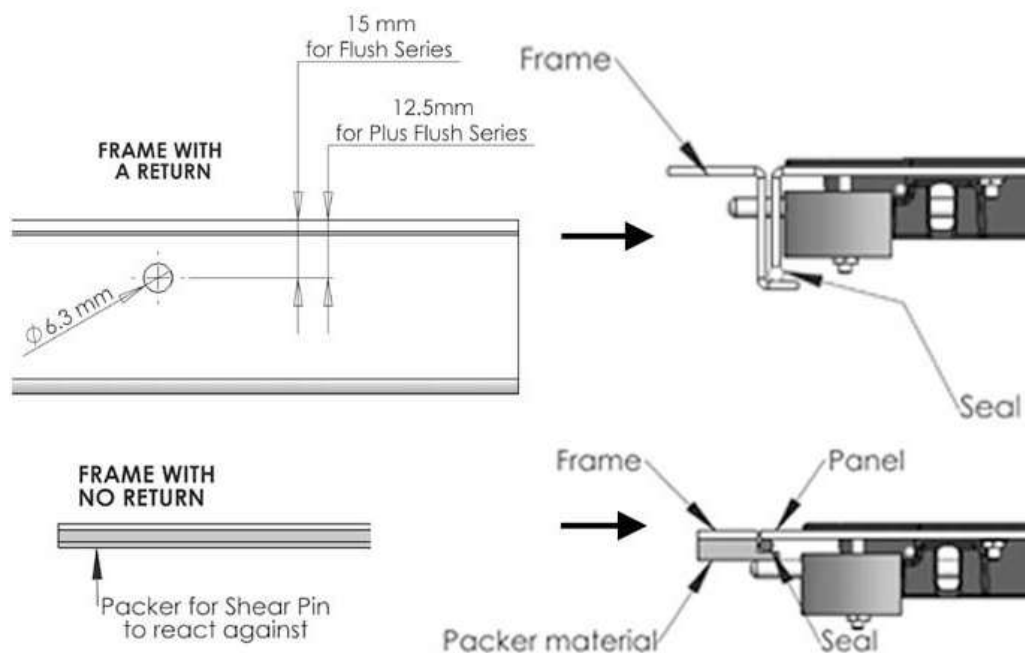
The Below Panel Series is designed to be installed from underneath the panel and will give a flush finish in panels up to 2.5 mm thick. When using thinner panels it will be necessary to pack it out accordingly. Thicker panels will require rebating.

NB it is important that the shear pin is a free fit through the extension shoe and panel return. Care should be taken when aligning the extension shoe and tightening the M4 x 35 screws protruding through the shoe.



Setting up AeroCatch® 2

The AeroCatch® 2 shear pin travels through the return on the panel and engages either in a hole in the frame or under the edge of the frame. If there is no return on the panel it is recommended that one is fitted in this area for additional support. Typical frame preparation is shown below:



A flexible seal or gasket should be placed between the panel and the frame to ensure a snug fit and prevent vibration. When setting up the position of the hole in the frame this seal should be compressed slightly by applying a light pressure to the panel.

Operating AeroCatch® 2

Once set up operation of the AeroCatch® 2 is simple. Push the crescent shaped button, the handle pops up, pull the handle back and the latch opens. The open handle gives a visual indication that the AeroCatch® 2 is open.

To close the latch just push the handle down until it engages with the secondary lock button, an audible click can be heard as it locks. Please note that if the seal between the panel & frame is new it may be necessary to apply a light pressure to the panel when operating the latch to enable the mechanism to run freely.

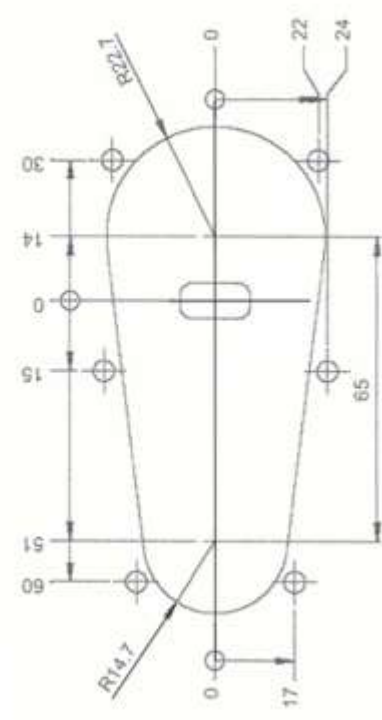
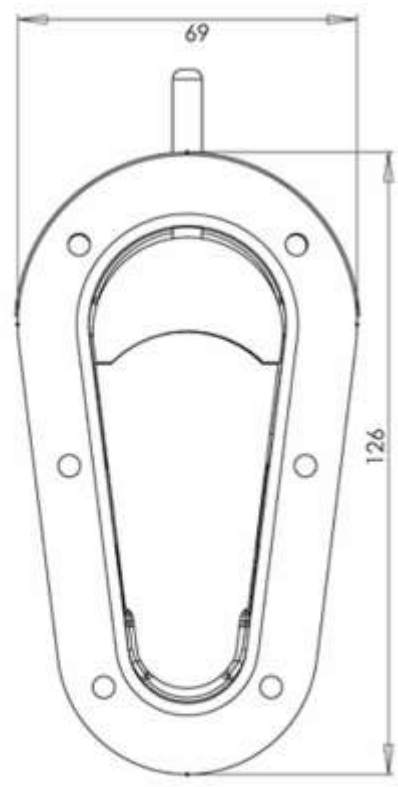
Care of your AeroCatch®

To optimise performance of your AeroCatch®, clean mechanism regularly with a small brush.

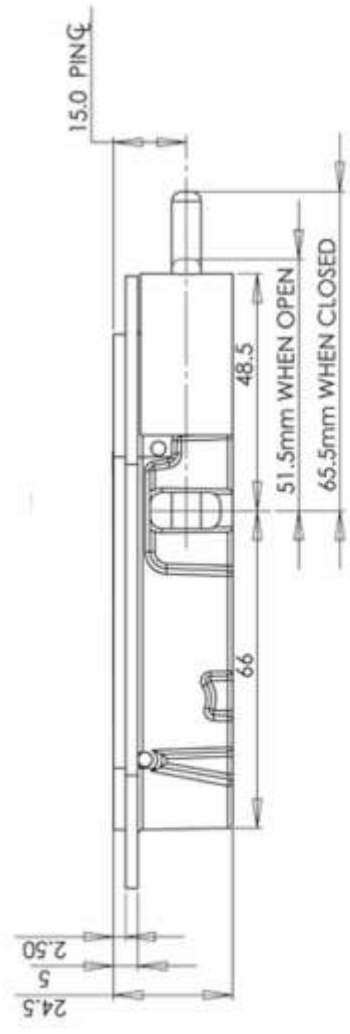
Technical Support

We hope these instructions will enable you to successfully install and use AeroCatch® 2. Should you encounter problems or wish to use it in a different application area please call our technical support on +44 (0)1803 868677 or email us at sales@aerocatch.com.

DO NOT SCALE DRAWING | IF IN DOUBT, ASK | DEBUR AND BREAK SHARP EDGES 0.05-0.15 UNLESS SPECIFIED | DIMENSIONS SHOWN ARE FINISHED DIMENSIONS | IF NOT SIGNED APPROVED, DRAWING IS REFERENCE ONLY | PROJECT NO. - AEROCATCH 2



Panel cut-out



NOT TO SCALE



UNLESS OTHERWISE SPECIFIED:
DIMENSIONS ARE IN MILLIMETRES
SURFACE FINISH: ∇ 1.2
ALL TOOL TIP RADI R0.4 UNLESS OTHERWISE STATED
TOLERANCES: DECIMAL: \pm 0.05
ANGULAR: \pm 1°
METRIC: X.XX - 0.05
X.XX - 0.10
X.XX - 0.15
X.XX - 0.20
X.XX - 0.25

TEL: 01203 850000
DRAWN: []
CHECKED: []
DATE: []
PROJECT: 225 SERIES BELOW PANEL DIMENSIONS AND PANEL CUT-OUT
REVISED: []
TOLERANCE: []
MATERIAL: []
PART NO.: 225 SERIES
SCALE: 1:1
SHEET 1 OF 1
A.3

ISSUE	ECH NO.	REVISION	BY	DATE
A		FIRST ISSUE		